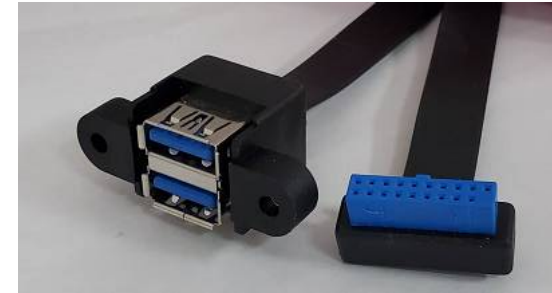
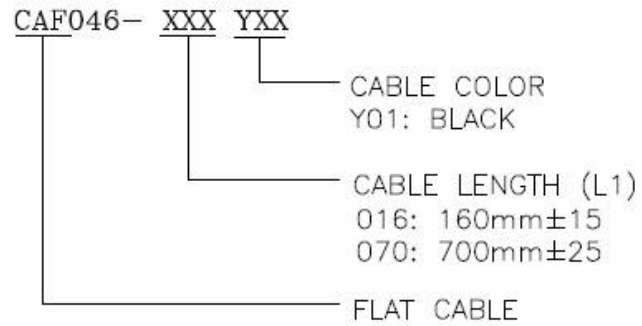


THE PRODUCT NUMBERS ARE ASSIGNED AS FOLLOW.



USB 3.0 A FEMALE DUAL PORT TO INT.
 USB 3.0 90 20 PIN CONN.FLAT CABLE

