

5423 Series

USB Type C Plug Solder Type 10Pos.

Ordering Information

5423 - X11 - H3X - H2

Contact Area Plating: 10 POS.
0: Gold Flash/Tin
3: 30u"Gold Plated/Tin

Specification

Material:

- ◆ **Insulator:**
Thermoplastic UL 94V-0
Color: Black
- ◆ **Contact:** Copper Alloy
- ◆ **Shell:** Stainless Steel

Electrical:

- ◆ **Contact Current Rating:**
VBUS and GND Contacts Rated at 1.25A EA.,
Paralleled for a Total of 5A
- ◆ **Rated voltage:** 5V Max.
- ◆ **Dielectric Withstanding Voltage:**
100VAC Min.
- ◆ **Contact Resistance:**
40mΩ Max. for VBUS, GND and Other Contacts
50mΩ Max. after Environment Test.
- ◆ **Insulation Resistance:**
100 MΩ Min.

Mechanical:

- ◆ **Insertion Force:** 5~20N
- ◆ **Withdrawal Force:** 8~20N

Environmental:

- ◆ **Temperature range:** -55°C to +85°C

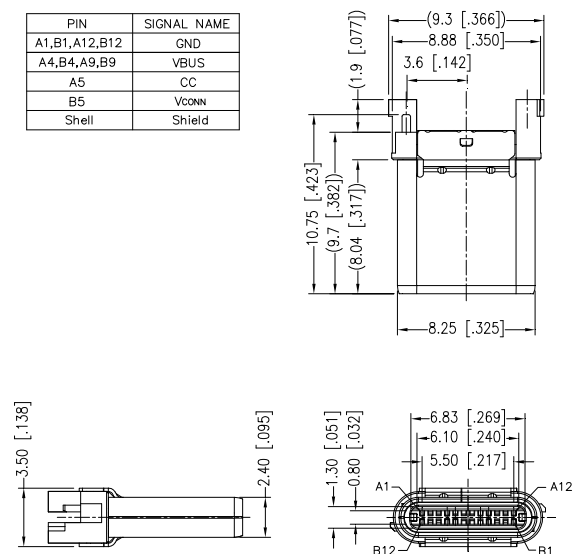
❖ The above ordering data is for our standard products. For Non-Standard products, please contact us.



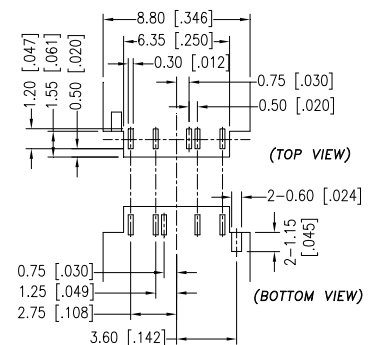
Drawing

5423-011-H3X-H2 Series

PIN	SIGNAL NAME
A1,B1,A12,B12	GND
A4,B4,A9,B9	VBUS
A5	CC
B5	VCONN
Shell	Shield



RECOMMENDED P.C.B. LAYOUT
10 Position



* ALL DIMENSIONS ARE SHOWN IN mm/in