

5405 Series

USB 3.0 A Type , Reverse R/A Dip Type

Ordering Information

5405 - X09 - 011 - XX

Contact Area Plating:
0: Gold Flash/Tin
S: 15u Pd/Ni
+Gold Flash /Tin
Q: 30u Pd/Ni
+Gold Flash /Tin

Packing Type:
1- Tray

Specification

Material:

- ◆ **Insulator:**
Thermoplastic UL 94V-0
Color: Blue
- ◆ **Contact:** Copper Alloy
- ◆ **Shell:** Stainless Steel

Electrical:

- ◆ **Dielectric Withstanding Voltage:**
100VAC Min.
- ◆ **Contact Resistance:**
VBUS and GND contacts: 30 mΩ max.
Other Contacts: 50 mΩ max.
- ◆ **Insulation Resistance:**
100 MΩ Min.

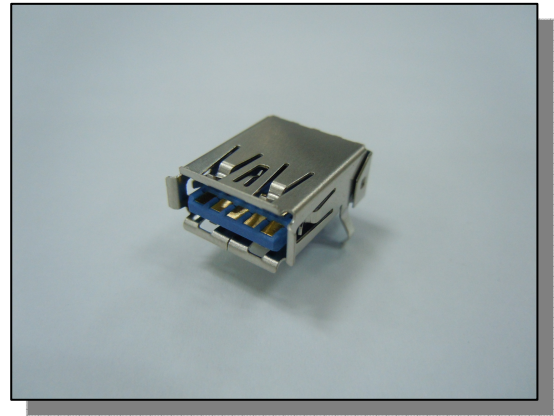
Mechanical:

- ◆ **Insertion Force:** 35N Max.
- ◆ **Withdrawal Force:** 10N Min.

Environmental:

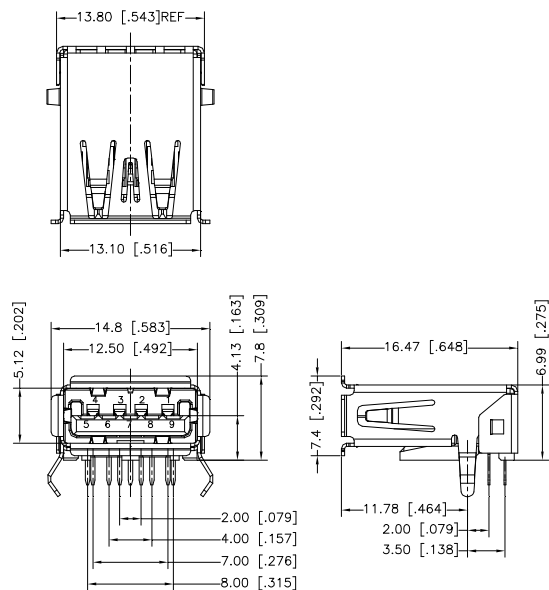
- ◆ **Temperature range:** -20°C to + 85°C

❖ The above ordering data is for our standard products. For Non-Standard products, please contact us.

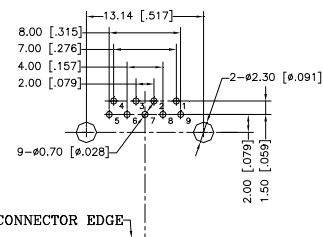


Drawing

5405-X09-011-XX Series



RECOMMENDED P.C.B. LAYOUT



Pin No.	1	2	3	4	5	6	7	8	9
Signal Name	VBUS	D-	D+	GND	SSRX-	SSRX+	GND_DRAIN	SSTX-	SSTX+
Remark	USB2 CONTACT PIN				USB3 CONTACT PIN				

* ALL DIMENSIONS ARE SHOWN IN in/mm.