

## 5405 Series

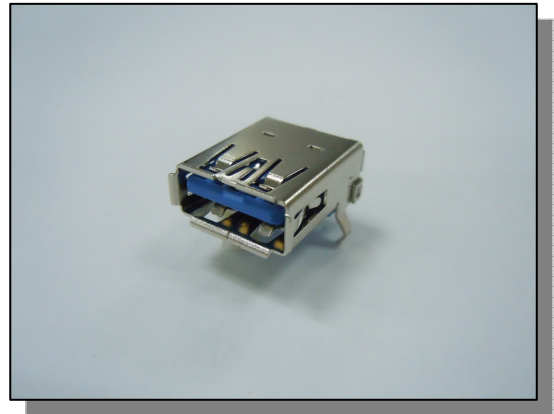
USB 3.0 A Type R/A Dip Type

### Ordering Information

5405 - X11 - 0X1 - XX

Contact Area Plating:  
0: Gold Flash/Tin  
5: 15u" Gold/Tin  
3: 30u" Gold/Tin

Packing Type: 1- Tray



### Specification

#### Material:

- ◆ **Insulator:**  
Thermoplastic UL 94V-0  
Color: Blue
- ◆ **Contact:** Copper Alloy
- ◆ **Shell:** Copper Alloy

#### Electrical:

- ◆ **Dielectric Withstanding Voltage:**  
100VAC Min.
- ◆ **Contact Resistance:**  
VBUS and GND contacts: 30 mΩ max.  
Other Contacts: 50 mΩ max.
- ◆ **Insulation Resistance:**  
100 MΩ Min.

#### Mechanical:

- ◆ **Insertion Force:** 35N Max.
- ◆ **Withdrawal Force:** 10N Min.

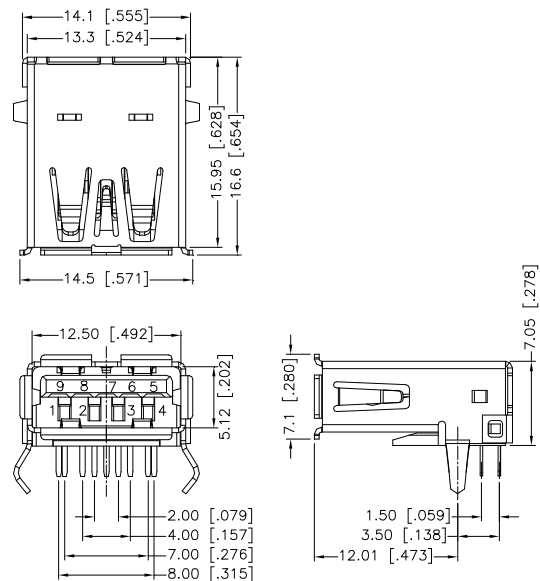
#### Environmental:

- ◆ **Temperature range:** -20°C to +85°C

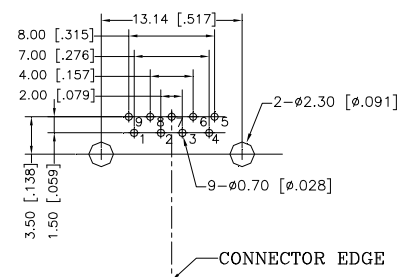
❖ The above ordering data is for our standard products. For Non-Standard products, please contact us.

### Drawing

#### 5405-X11-0X1-XX Series



#### RECOMMENDED P.C.B. LAYOUT



Pin No.	1	2	3	4	5	6	7	8	9
Signal Name	VBUS	D-	D+	GND	SSRX-	SSRX+	GND_DRAIN	SSTX-	SSTX+
Remark	USB2 CONTACT PIN				USB3 CONTACT PIN				

\* ALL DIMENSIONS ARE SHOWN IN in/mm.