

5406 Series

USB 3.0 Dual Port A Type Short Body R/A
Dip Type w/o Spring

Ordering Information

5406 - X11 - 0X1 - XX

Contact Area Plating:
0: Gold Flash/Tin
3: 30u" Gold /Tin
5: 15u" Gold /Tin

Packing Type: Tray

Specification

Material:

- ◆ **Insulator:**
Thermoplastic UL 94V-0
Color: Blue
- ◆ **Contact:** Copper Alloy
- ◆ **Shell:** Stainless Steel

Electrical:

- ◆ **Dielectric Withstanding Voltage:**
100VAC Min.
- ◆ **Contact Resistance:**
VBUS and GND contacts: 30 mΩ max.
Other Contacts: 50 mΩ max.
- ◆ **Insulation Resistance:**
100 MΩ Min.

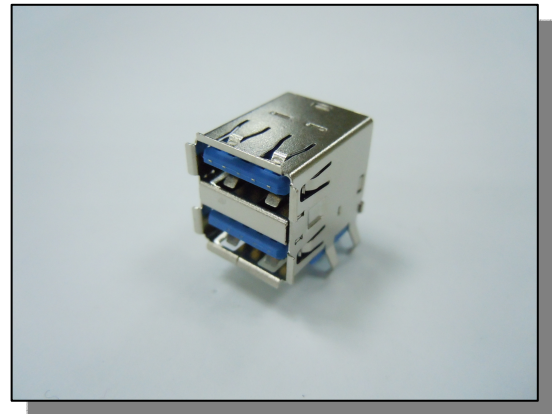
Mechanical:

- ◆ **Insertion Force:** 35N Max.
- ◆ **Withdrawal Force:** 10N Min.

Environmental:

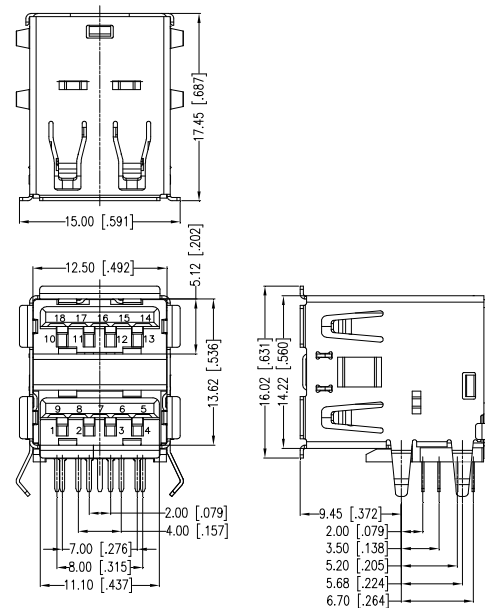
- ◆ **Temperature range:** -20°C to +85°C

❖ The above ordering data is for our standard products. For Non-Standard products, please contact us.

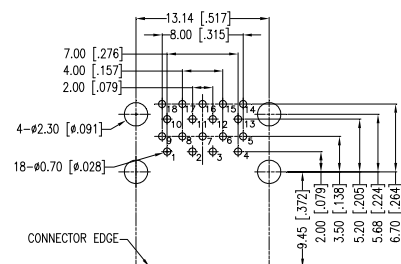


Drawing

5406-X11-0X1-XX Series



RECOMMENDED P.C.B. LAYOUT



Pin No.	10	11	12	13	14	15	16	17	18
Signal Name	VBUS	D-	D+	GND	StdA_SSRX-	StdA_SSRX+	GND_DRAIN	StdA_SSTX-	StdA_SSTX+
Remark	USB2 CONTACT PIN				USB3 CONTACT PIN				

* ALL DIMENSIONS ARE SHOWN IN mm/in