

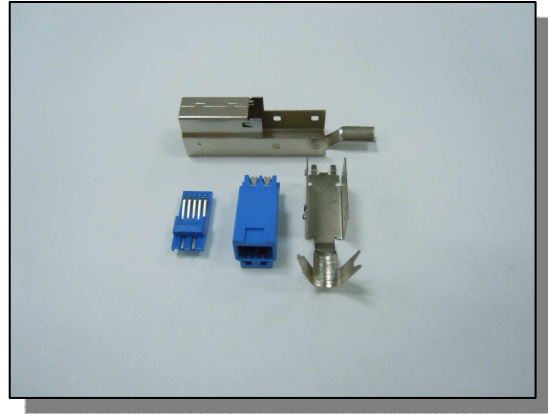
5420 Series

USB 3.0 B Male Solder Type L=39mm

Ordering Information

5420 - X14 - A12 - 01

Contact Area Plating:
 0: Gold Flash/Tin
 3: 30u" Gold /Tin
 5: 15u" Gold /Tin



Specification

Material:

- ◆ **Insulator:**
Thermoplastic UL 94V-0
Color: Blue
- ◆ **Contact:** Copper Alloy
- ◆ **Shell:** Steel

Electrical:

- ◆ **Dielectric Withstanding Voltage:**
100VAC Min.
- ◆ **Contact Resistance:**
VBUS and GND contacts: 30 mΩ max.
Other Contacts: 50 mΩ max.
- ◆ **Insulation Resistance:**
100 MΩ Min.

Mechanical:

- ◆ **Insertion Force:** 35N Max.
- ◆ **Withdrawal Force:** 10N Min.

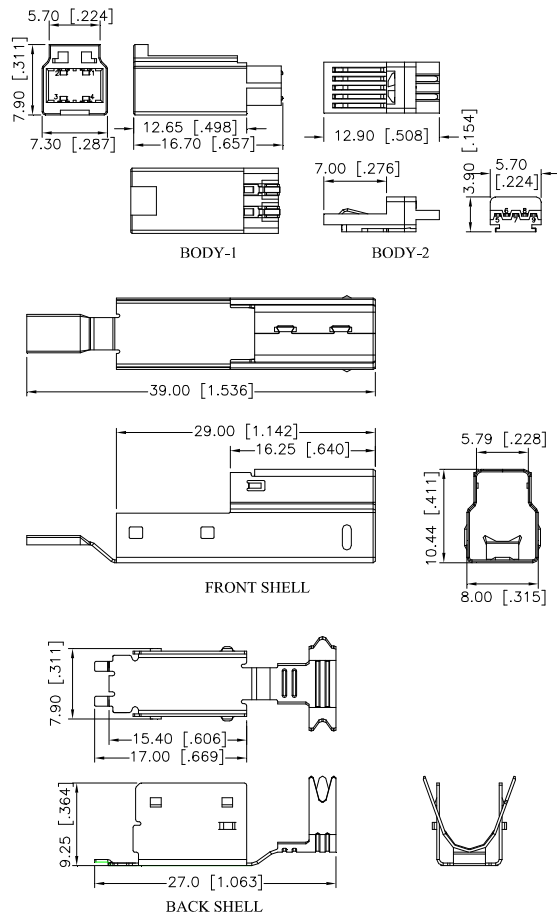
Environmental:

- ◆ **Temperature range:** -20°C to +85°C

❖ The above ordering data is for our standard products. For Non-Standard products, please contact us.

Drawing

5420-X14-A12-XX Series



Pin No.	1	2	3	4	5	6	7	8	9
Signal Name	VBUS	D-	D+	GND	SSRX-	SSRX+	GND_DRAIN	SSTX-	SSTX+
Remark	USB2 CONTACT PIN				USB3 CONTACT PIN				

* ALL DIMENSIONS ARE SHOWN IN mm/in