

5418 Series

USB 3.0 A Type Receptacle Solder Type with
Out Shell L: 18.7mm

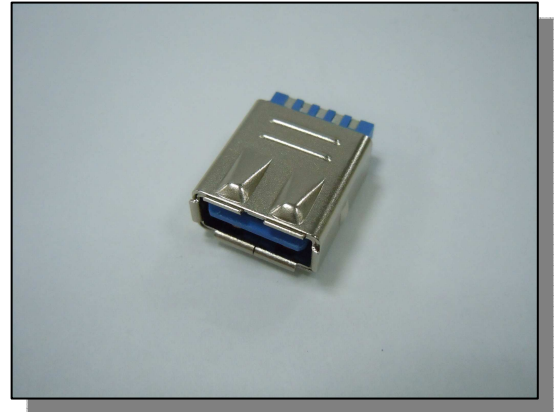
Ordering Information

5418 - X01 - A36 - 01

Contact Area Plating:
0: Gold Flash/Tin
3: 30u" Gold /Tin
5: 15u" Gold /Tin

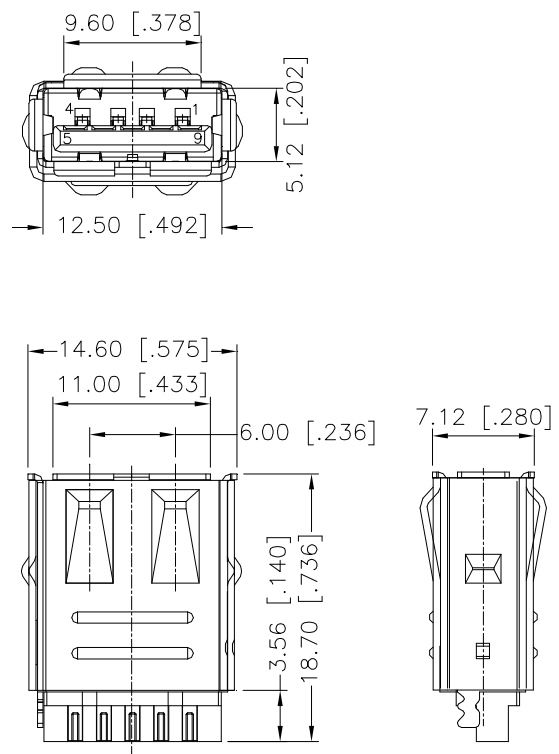
Specification

- **Material:**
 - ◆ **Insulator:**
Thermoplastic UL 94V-0
Color: Blue
 - ◆ **Contact:** Copper Alloy
 - ◆ **Shell:** Steel
 - **Electrical:**
 - ◆ **Dielectric Withstanding Voltage:**
100VAC Min.
 - ◆ **Contact Resistance:**
VBUS and GND contacts: 30 mΩ max.
Other Contacts: 50 mΩ max.
 - ◆ **Insulation Resistance:**
100 MΩ Min.
 - **Mechanical:**
 - ◆ **Insertion Force:** 35N Max.
 - ◆ **Withdrawal Fore:** 10N Min.
 - **Environmental:**
 - ◆ **Temperature range:** -20°C to + 85°C
- ❖ The above ordering data is for our standard products. For Non-Standard products, please contact us.



Drawing

5418-X01-A36-XX Series



Pin No.	1	2	3	4	5	6	7	8	9
Signal Name	VBUS	D-	D+	GND	SSRX-	SSRX+	GND_DRAIN	SSTX-	SSTX+
Remark	USB2 CONTACT PIN				USB3 CONTACT PIN				

* ALL DIMENSIONS ARE SHOWN IN mm/in