

## 5423 Series

USB Full-Featured Type-C 22 Pin Paddle Card Module w/E-marker IC (TKAR1)

### Ordering Information

**5423 - XX2 - HA8A1X**

Contact Area Plating:  
0: Gold Flash/Tin  
3: 30u"Gold Plated/Tin

22 Pin Deep Drawing Shell Plug

### Specification of Plug

#### Material:

##### ◆ Insulator:

Thermoplastic UL 94V-0  
Color: Black

##### ◆ Contact: Copper Alloy

##### ◆ Shell: Stainless Steel

#### Electrical:

##### ◆ Contact Current Rating:

VBUS and GND Contacts Rated at 1.25A EA.,  
Paralleled for a Total of 5A

##### ◆ Rated voltage: 5V Max.

##### ◆ Dielectric Withstanding Voltage:

100VAC Min.

##### ◆ Contact Resistance:

40mΩ Max. for VBUS, GND and Other Contacts  
50mΩ Max. after Environment Test.

##### ◆ Insulation Resistance:

100 MΩ Min.

#### Mechanical:

##### ◆ Insertion Force: 5~20N

##### ◆ Withdrawal Force: 8~20N

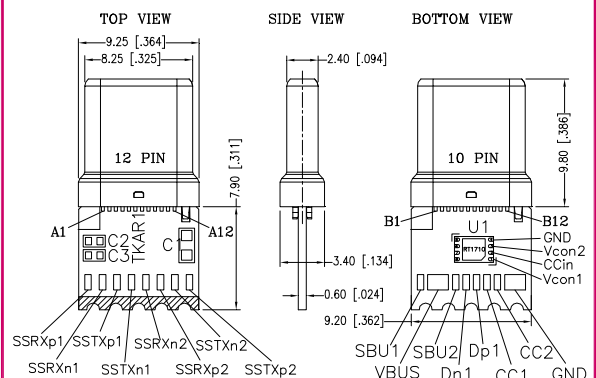
#### Environmental:

##### ◆ Temperature range: -55°C to +85°C

❖ The above ordering data is for our standard products. For Non-Standard products, please contact us.

### Drawing

#### 5423-XX2-HA8A1X Series



|     |             |     |             |
|-----|-------------|-----|-------------|
| A12 | GND         | B1  | GND         |
| A11 | SSRXp2      | B2  | SSTXp2      |
| A10 | SSRXn2      | B3  | SSTXn2      |
| A9  | VBUS        | B4  | VBUS        |
| A8  | SBU1        | B5  | CC2         |
| A7  | Dn1         | B6  |             |
| A6  | Dp1         | B7  |             |
| A5  | CC1         | B8  | SBU2        |
| A4  | VBUS        | B9  | VBUS        |
| A3  | SSTXn1      | B10 | SSRXn1      |
| A2  | SSTXp1      | B11 | SSRXp1      |
| A1  | GND         | B12 | GND         |
| PIN | SIGNAL NAME | PIN | SIGNAL NAME |

Table 1 USB Full-Featured Type-C Paddle Card Module Code

| CODE | Cable Ref | USB Version | Current Rating | ELEMENT            |
|------|-----------|-------------|----------------|--------------------|
| A11  | CC3G1-3   | USB 3.1     | 3A             | C1: 0603 10nF 50V  |
|      | CC3G1-5   | Gen 1       | 5A             | C2: 0402 0.1uF 10V |
|      | CC3G2-3   | USB 3.1     | 3A             | C3: 0402 0.1uF 10V |
|      | CC3G2-5   | Gen 2       | 5A             | U1: Richtek RT1710 |

\* ALL DIMENSIONS ARE SHOWN IN mm/in