

## 5423 Series

USB Full-Featured Type-C 24 Pin Paddle  
Card Module Twisted Pair Both Sides  
w/E-marker IC (AEER2)

### Ordering Information

5423 - XX2 - HGXER2

Contact Area Plating:  
0: Gold Flash/Tin  
3: 30u"Gold Plated/Tin

24 Pin Deep Drawing Shell Plug

### Specification of Plug

#### Material:

##### ◆ Insulator:

Thermoplastic UL 94V-0  
Color: Black, White

##### ◆ Contact: Copper Alloy

##### ◆ Shell: Stainless Steel

#### Electrical:

##### ◆ Contact Current Rating:

VBUS and GND Contacts Rated at 1.25A EA.,  
Paralleled for a Total of 5A

##### ◆ Rated voltage: 5V Max.

##### ◆ Dielectric Withstanding Voltage:

100VAC Min.

##### ◆ Contact Resistance:

40mΩ Max. for VBUS, GND and Other Contacts  
50mΩ Max. after Environment Test.

##### ◆ Insulation Resistance:

100 MΩ Min.

#### Mechanical:

##### ◆ Insertion Force: 5~20N

##### ◆ Withdrawal Force: 8~20N

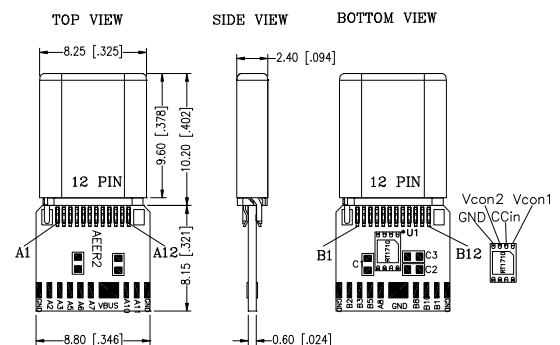
#### Environmental:

##### ◆ Temperature range: -55°C to + 85°C

❖ The above ordering data is for our standard products. For Non-Standard products, please contact us.

### Drawing

#### 5423-XX2-HGXER2 Series



A12	GND	B1	GND
A11	SSRxp2	B2	SSTxp2
A10	SSRxn2	B3	SSTxn2
A9	VBUS	B4	VBUS
A8	SBU1	B5	CC2
A7	Dn1	B6	
A6	Dp1	B7	
A5	CC1	B8	SBU2
A4	VBUS	B9	VBUS
A3	SSTxn1	B10	SSRxn1
A2	SSTxp1	B11	SSRxp1
A1	GND	B12	GND
PIN	SIGNAL NAME	PIN	SIGNAL NAME

Table 1 USB Full-Featured Type-C Paddle Card Module Code

CODE	Cable Ref	USB Version	Current Rating	ELEMENT	Paddle Card Solder Pad
ER2	CC3G1-3	USB 3.1 Gen 1	3A	C1: 0402 100nF 50V±10%	Without TIN
	CC3G1-5	USB 3.1 Gen 1	5A	C2: 0402 100nF 50V±10%	
E2A	CC3G2-3	USB 3.1 Gen 2	3A	C3: 0402 100nF 50V±10%	With TIN
	CC3G2-5	USB 3.1 Gen 2	5A	U1: Richtek RT1710	

\* ALL DIMENSIONS ARE SHOWN IN mm/in