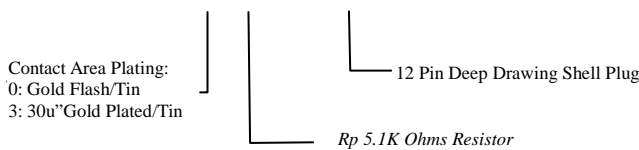


5423 Series

USB Type-C 12 Pin Plug for USB 2.0 w/o
PCB w/ Rd 5.1K Ohms Resistor

Ordering Information

5423 - X1G - HFX - HA

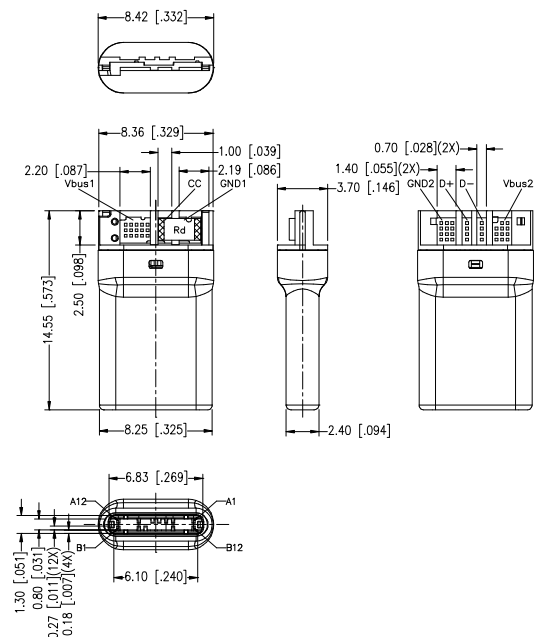


Specification of Plug

- **Material:**
 - ◆ **Insulator:**
Thermoplastic UL 94V-0
Color: Black
 - ◆ **Contact:** Copper Alloy
 - ◆ **Shell:** Stainless Steel
 - **Electrical:**
 - ◆ **Contact Current Rating:**
VBUS and GND Contacts Rated at 1.25A EA.,
Paralleled for a Total of 5A
 - ◆ **Rated voltage:** 5V Max.
 - ◆ **Dielectric Withstanding Voltage:**
100VAC Min.
 - ◆ **Contact Resistance:**
40mΩ Max. for VBUS, GND and Other Contacts
50mΩ Max. after Environment Test.
 - ◆ **Insulation Resistance:**
100 MΩ Min.
 - **Mechanical:**
 - ◆ **Insertion Force:** 5~20N
 - ◆ **Withdrawal Force:** 8~20N
 - **Environmental:**
 - ◆ **Temperature range:** -55°C to + 85°C
- ❖ The above ordering data is for our standard products. For Non-Standard products, please contact us.

Drawing

5423-X1G-HFX-HA Series



CONTACT DIAGRAM		PIN	SIGNAL NAME
TOP		A1,B1,A12,B12	GND
GND1	A1,A12 B1,B12	A4,B4,A9,B9	VBUS
CC	A5	A5	CC
Vbus1	A4,A9 B4,B9	B5	VCONN
		A6	D+
		A7	D-
		Shell	Shield

* ALL DIMENSIONS ARE SHOWN IN mm/in