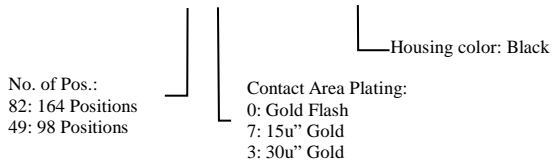


2E Series

PCI Express 4.0 SMT Type with Shell

Ordering Information

2EFHXXX - DB9D0-XX



Specification

Material:

◆ Insulator:

Thermoplastic UL 94V-0
Color: Black

◆ Contact: Copper Alloy

◆ Metal Shell: Stainless Steel

Electrical:

◆ Dielectric Withstanding Voltage:

500 VAC

◆ Contact Resistance:

30 mΩ max.

◆ Insulation Resistance:

1000 MΩ Min.

Mechanical:

◆ Insertion Force: 1.15N max. per contact pair

◆ Withdrawal Force: 0.15N min. per contact pair

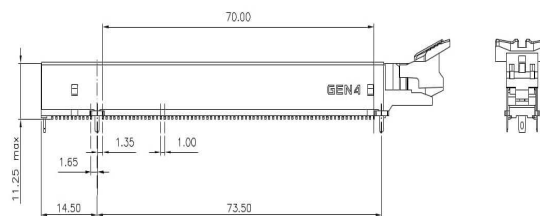
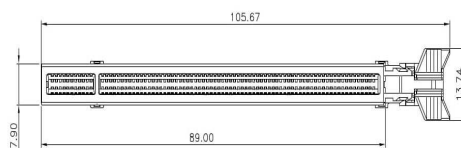
Environmental:

◆ Temperature range: -40°C to + 105°C

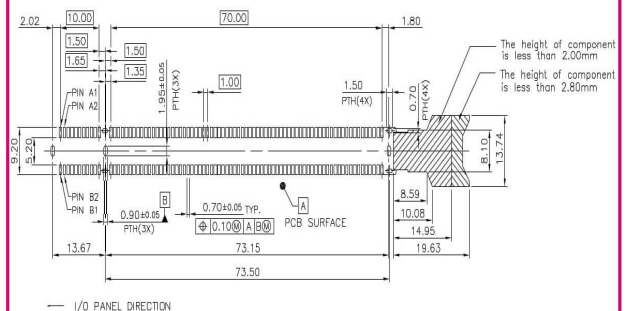
❖ The above ordering data is for our standard products. For Non-Standard products, please contact us.

Drawing

2EFHXXX-DB9X0-XX Series



RECOMMENDED P.C.B. LAYOUT



* ALL DIMENSIONS ARE SHOWN IN mm/in