

2E Series

PCI Express 4.0 SMT Type

Ordering Information

2EFEXXX - DB9D0-XX

No. of Pos.: 82: 164 Positions 49: 98 Positions	Contact Area Plating: 0: Gold Flash 7: 15u" Gold 3: 30u" Gold	Housing color: Black
---	--	----------------------

Specification

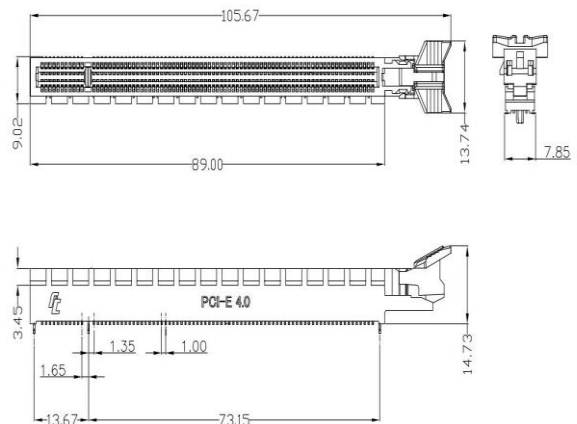
- **Material:**
 - ◆ **Insulator:**
Thermoplastic UL 94V-0
Color: Black
 - ◆ **Contact:** Copper Alloy
- **Electrical:**
 - ◆ **Dielectric Withstanding Voltage:**
500 VAC
 - ◆ **Contact Resistance:**
30 mΩ max.
 - ◆ **Insulation Resistance:**
1000 MΩ Min.
- **Mechanical:**
 - ◆ **Insertion Force:** 1.15N max. per contact pair
 - ◆ **Withdrawal Force:** 0.15N min. per contact pair
- **Environmental:**
 - ◆ **Temperature range:** -40°C to + 105°C

❖ The above ordering data is for our standard products. For Non-Standard products, please contact us.

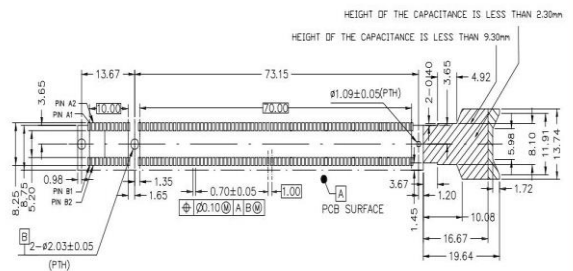


Drawing

2EFE82X-DB9D0-XX Series



RECOMMENDED P.C.B. LAYOUT



* ALL DIMENSIONS ARE SHOWN IN mm/in