

PT Series

PCI Express OCuLink Plug (Standard Passive)

Ordering Information

PT2142A - 02 - 0H

Contact Area Plating:
A: 15u" Gold

Specification

Material:

◆ Insulator:

Thermoplastic UL 94V-0
Color: Black

◆ Contact: Copper Alloy

◆ Metal Shell: Stainless Steel

Electrical:

◆ Dielectric Withstanding Voltage:

250 VDC Min. for 100 MS

◆ Contact Resistance:

50 mΩ max. after environment test

◆ Insulation Resistance:

100 MΩ Min.

Mechanical:

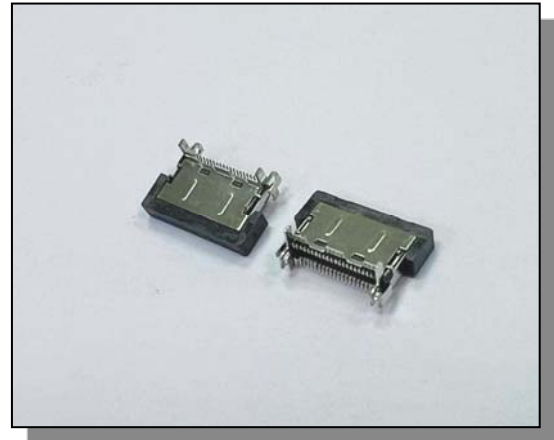
◆ Insertion Force: 8~40N

◆ Withdrawal Force: 8~25N

Environmental:

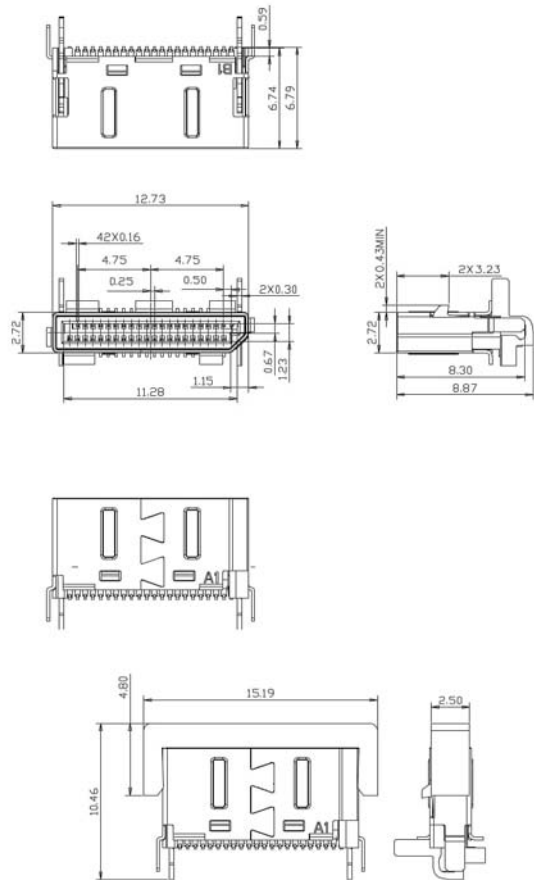
◆ Temperature range: -25°C to + 60°C

❖ The above ordering data is for our standard products. For Non-Standard products, please contact us.



Drawing

PT2142A-02-0H Series



* ALL DIMENSIONS ARE SHOWN IN mm/in