

MODULAR JACK, LOW PROFILE PCB GANG JACK

P/N: 1816-10X-084

SPEC:

1. MATERIALS

- . INSULATOR: NYLON 66+25% GLASS FIBER, UL94V-0. COLOR - BLACK.
- . CONTACT: SQUARE PIN: 0.35mm THICKNESS PHOSPHOR BRONZE  
SELECTIVE 30 μ" GOLD PLATING OVER NICKEL.
- . SHIELD: 0.25mm THICKNESS BRASS PLATED Sn/Pb BY 100 μ" MIN.

2. ELECTRICAL

- . VOLTAGE RATING: 250 VAC (R.M.S.)
- . CURRENT RATING: 1.5 AMP.
- . INSULATION RESISTANCE: 10 MEGOHMS MIN.
- . DIELECTRIC WITHSTANDING VOLTAGE: 1000 VAC (R.M.S.)
- . CONTACT RESISTANCE: 30 MILLOHMS MAX. PER CONTACT.

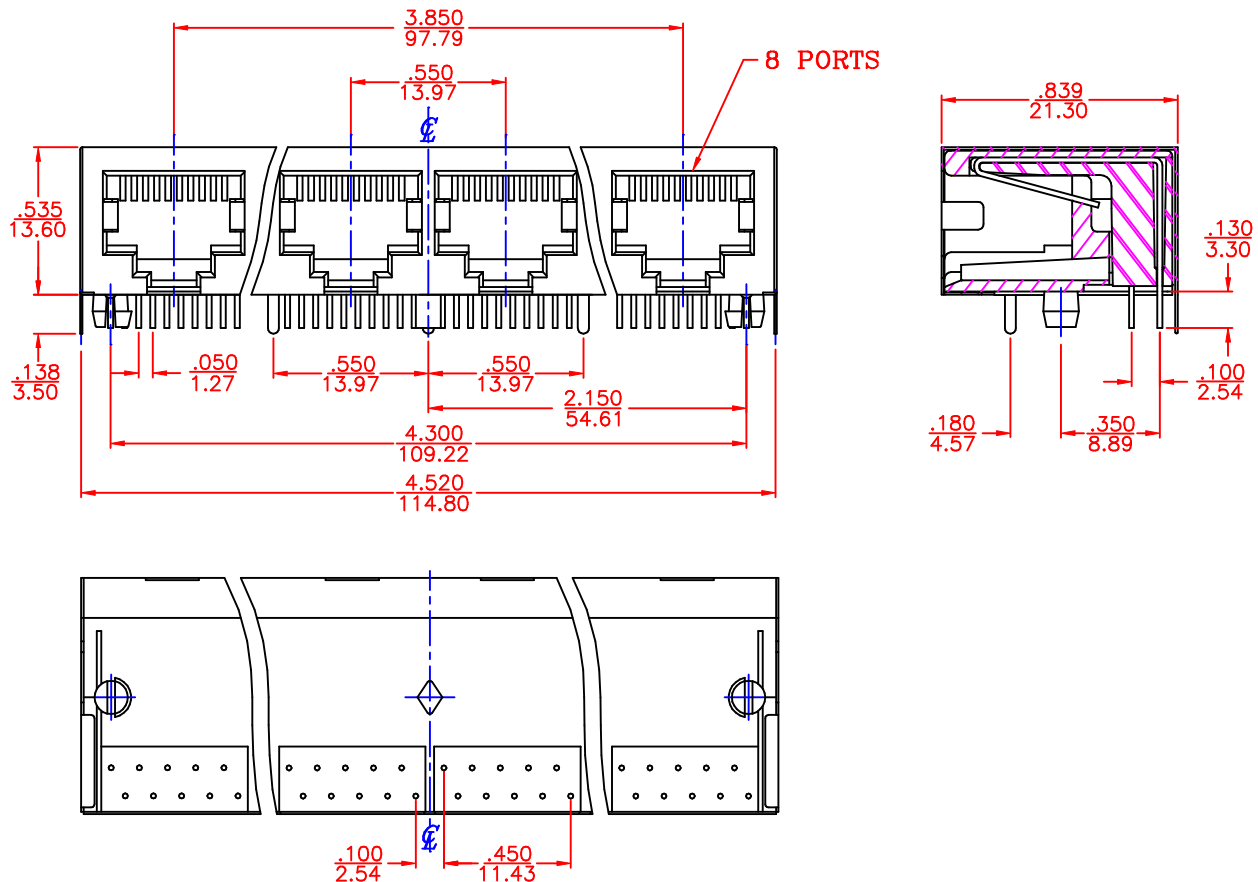
3. MECHANICAL

- . MATING FORCE: (DIGIT "X")  
2 CONTACTS - 9.5 N, 4 CONTACTS - 19.5 N,  
6 CONTACTS - 29.5 N, 8 CONTACTS - 39.5 N,  
10 CONTACTS - 49.5 N.
- . RETENTION FORCE: 76 N BETWEEN JACK AND PLUG.
- . DURABILITY: 750 MATING CYCLES MIN.

4. ENVIRONMENTAL

- . TEMPERATURE RANGE: -65°C TO 125°C

5. RECOMMENDED P.C.B THICKNESS 1.60mm.



\* ALL DIMENSIONS ARE SHOWN IN in/mm.

\* THE ABOVE ORDERING DATA IS FOR OUR STANDARD PRODUCTS. FOR NON-STANDARD PRODUCTS, PLEASE CONTACT TEKCON ELECTRONICS CORP.