

MODULAR JACK LOW PROFILE PCB JACK

P/N: 1814-000-10X-001

SPEC:

1. MATERIALS

- . INSULATOR: NYLON 66+25% GLASS FIBER, UL94V-0.
COLOR - BLACK.
- . CONTACT: 0.46mm DIAMTER PHOSPHOR BRONZE
GOLD FLASH PLATING OVER NICKEL.
- . SHIELD: 0.25mm THICKNESS BRASS PLATED Sn/Pb BY 100μ" MIN.

2. ELECTRICAL

- . VOLTAGE RATING: 250 VAC (R.M.S.)
- . CURRENT RATING: 1.5 AMP.
- . INSULATION RESISTANCE: 10 MEGOHMS MIN.
- . DIELECTRIC WITHSTANDING VOLTAGE: 1000 VAC (R.M.S.)
- . CONTACT RESISTANCE: 30 MILLOHMS MAX. PER CONTACT.

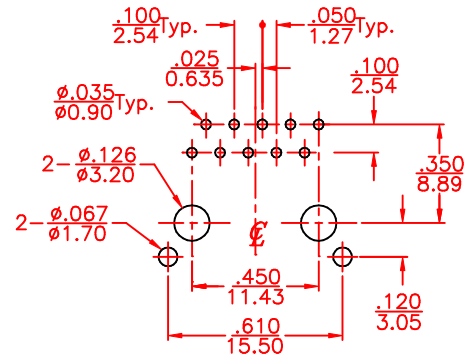
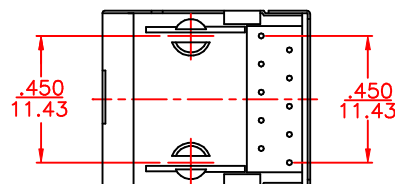
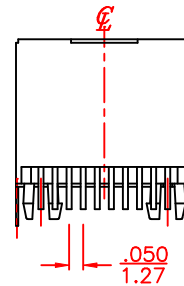
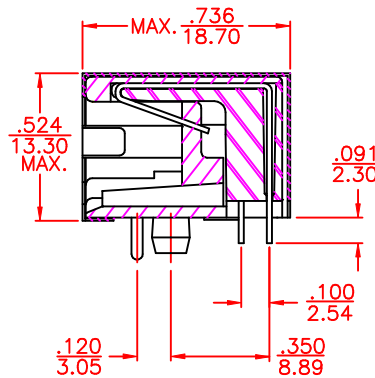
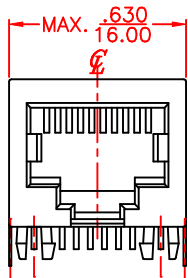
3. MECHANICAL

- . INSERTION FORCE: (DIGIT "X")
2 CONTACTS - 350g 6 CONTACTS - 750g
4 CONTACTS - 500g 8 CONTACTS - 900g
- . RETENTION FORCE: 7.7kg BETWEEN JACK AND PLUG.

4. ENVIRONMENTAL

- . TEMPERATURE RANGE: -55°C TO 125°C

5. RECOMMENDED P.C.B THICKNESS 1.60mm.



RECOMMENDED P.C.B LAYOUT
<VIEW FROM BOTTOM SIDE>

* ALL DIMENSIONS ARE SHOWN IN in/mm.

* THE ABOVE ORDERING DATA IS FOR OUR STANDARD PRODUCTS. FOR NON-STANDARD PRODUCTS, PLEASE CONTACT TEKCON ELECTRONICS CORP.