

1280 Series

*D-Sub Miniature Connector, Economy Type
 0.318" Footprint, Right Angle, Plug*

Ordering Information

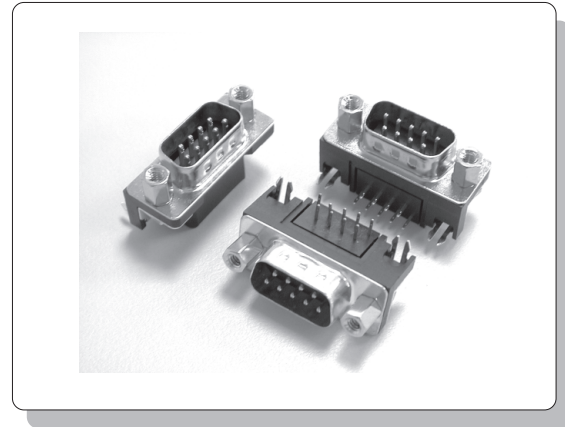
1280 - XX P - X X X

NO. of Contact
 09 - 9 positions
 25 - 25 positions

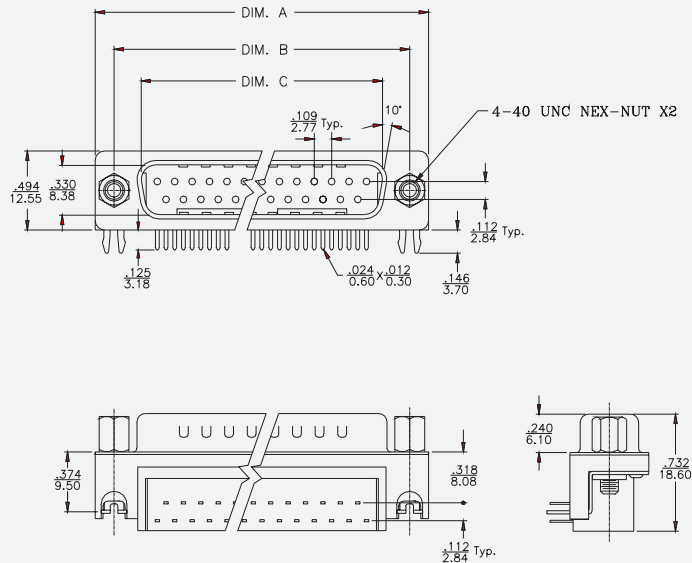
Contact Plating
 0 - Gold Flash/Tin
 1 - 10 μ" Gold/Tin
 3 - 30 μ" Gold/Tin
 5 - 15 μ" Gold/Tin

Grounding Clip & Shell Plating
 4 - Type 4/ Nickel Plated
 6 - Type 6/ Nickel Plated
 8 - Type 4/ Tin Plated
 9 - Type 2/ Tin Plated
 see Grounding Clip Table
 (P.14-1, Appendix A)

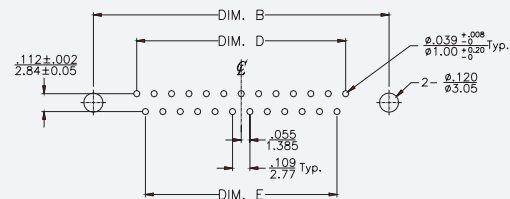
Hex-Nut
 Type 0,1,6
 see Hex-Nut Table
 (P.14-4, Appendix D.)



Dimension



RECOMMENDED P.C.B. LAYOUT



Specification

Materials:

- ♦ **Insulator:**
Glass Fiber Reinforced Thermoplastic, UL94V-0.
- ♦ **Shell:** Steel with Nickel Plating (Tin on Request).
- ♦ **Contact:** Copper Alloy.
- ♦ **Plating:** Gold on Contact Area and Tin/ Lead on Solder Tail.
- ♦ **Grounding Clip:**
Copper Alloy with Tin/Lead Plating.
- ♦ **Hex-Nut:** Brass with Tin Plating.

Electrical:

- ♦ **Insulation Resistance:**
5000 MΩ Minimum.
- ♦ **Dielectric Withstanding Voltage:**
1000 VAC R.M.S.
- ♦ **Voltage Rating:** 600V.
- ♦ **Current Rating:** 3 AMP.
- ♦ **Contact Resistance:**
20 mΩ Maximum.

Enviromental

- ♦ Temperature: -55°C to +125°C

❖ All Dimensions are shown in in/mm.

❖ The above ordering data is for our standard products.

For Non-Standard products, please contact
 TEKCON Electronics Corporation.

NO. OF CONTACT	DIM. A mm in	DIM. B mm in	DIM. C mm in	DIM. D mm in	DIM. E mm in
9	30.84 1.214	24.99 0.984	16.92 0.666	11.08 0.436	8.31 0.327
15	39.24 1.545	33.32 1.312	25.25 0.994	19.39 0.763	16.62 0.654
25	53.04 2.088	47.04 1.852	38.96 1.534	33.24 1.309	30.47 1.200