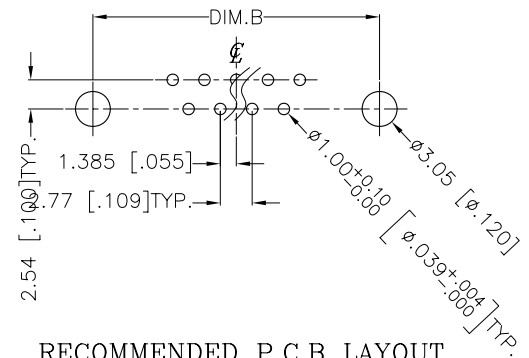
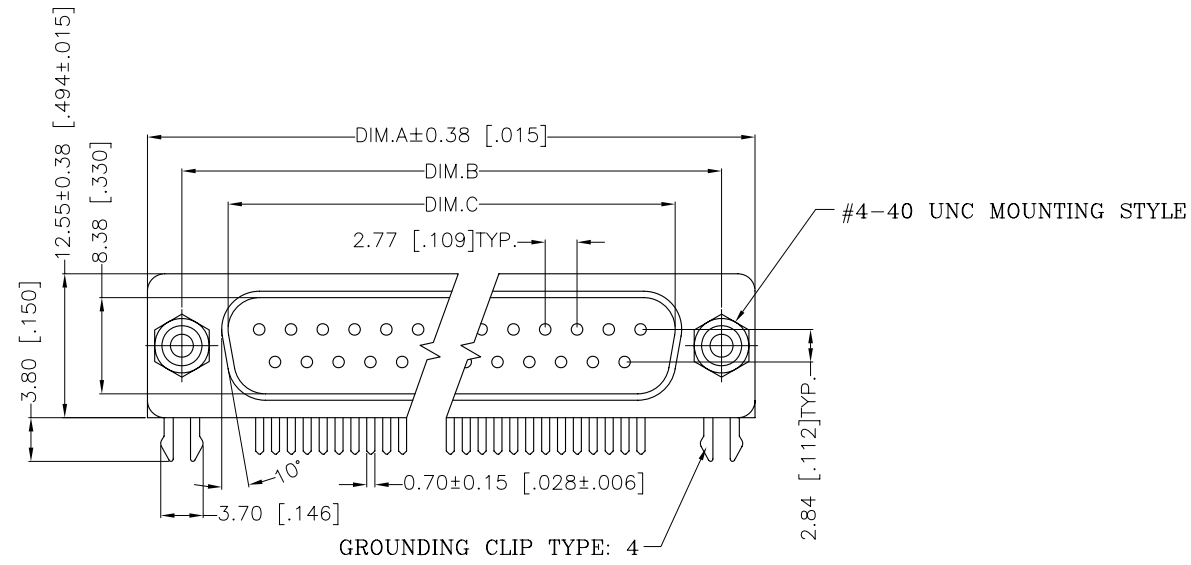
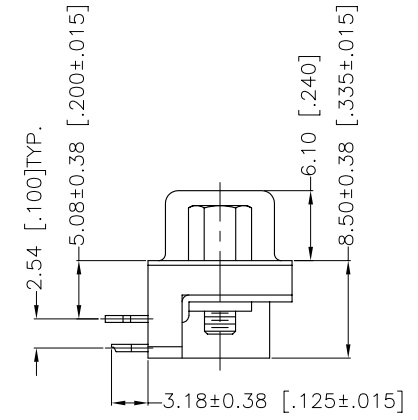
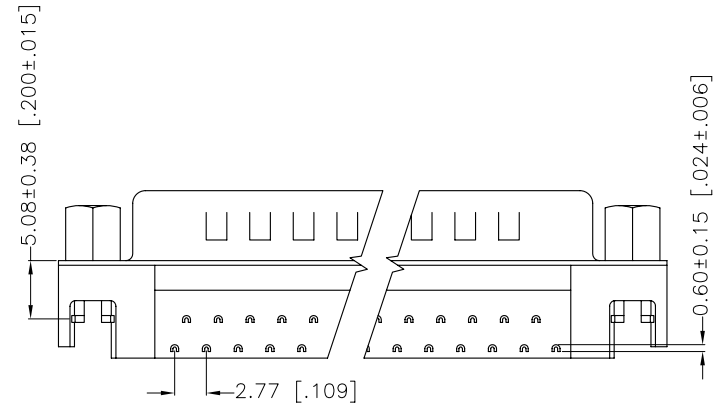


RoHS

REV.	ECN. NO.	NAME	DATE
E1	HZR0900037	LEO	04/20/'09
E2	HZR0900106	LEO	07/30/'09
F	THZ1000023	LEO	01/19/'10



**RECOMMENDED P.C.B LAYOUT**  
 (VIEW FROM TOP SIDE)  
 THICKNESS=1.60[.063]  
 TOLERANCE=±0.05[.002]



P/N	NO. OF CONTACT	DIM.A		DIM.B		DIM.C	
		mm	inch	mm	inch	mm	inch
1211-XX4-09P-AXX	9	30.84	1.214	24.99	0.984	16.92	0.666
1211-XX4-15P-AXX	15	39.24	1.545	33.32	1.312	25.25	0.994
1211-XX4-25P-AXX	25	53.04	2.088	47.04	1.852	38.96	1.534

<b>TEKCON®</b> ELECTRONICS		TITLE	RIGHT ANGLE D-SUB CONTACTOR .200" FOOTPRINT, PLUG
(A4)	DWG.NO.	1211-XX4-XXP-AXX	
APP.		TOLERANCE UNLESS OTHERWISE SPECIFIED	
CHK.		LINEAR	0.0 ±0.38 [.00 ±.015]
DR.	UNIT: mm[inch]	0.00±0.25 [.000±.010]	
DWG.PATH: RD\D-SUB\1211\1211XX4XXPAXX-F(C)		ANGLES	± 3'
		SCALE	1.5:1 SHEET 1 OF 2 [REV: F]

RoHS

REV.	ECN. NO.	NAME	DATE
E1	HZR0900037	LEO	04/20/'09
E2	HZR0900106	LEO	07/30/'09
F	THZ1000023	LEO	01/19/'10

NOTES:

1. THE PRODUCT NUMBERS ARE ASSIGNED AS FOLLOWS:

1211- X X 4-XX P-A X X

- E : PBT
- K : LCP
- SHELL PLATING
- A - NICKEL (STANDARD)
- B - TIN
- SPACER TYPE
- A - OPEN TYPE (STANDARD)
- P: PLUG
- NO. OF CONTACT : 09, 15, 25
- GROUNDING CLIP
- 4 - TYPE 4
- RIVET & NEX-NUT : TYPE 0, 1, 2  
<SEE FIGURE 1>
- CONTACT PLATING
- CONTACT AREA/SOLDER TAIL
- 0 - GOLD FLASH /TIN
- 1 - 10 μ" GOLD /TIN
- 3 - 30 μ" GOLD /TIN
- 5 - 15 μ" GOLD /TIN

2. MATERIALS

- . INSULATOR: GLASS FIBER REINFORCED THERMOPLASTIC UL94V-0, COLOR: BLACK.
- . SHELL: STEEL WITH NICKEL PLATED (TIN ON REQUEST).
- . CONTACT: COPPER ALLOY WITH GOLD PLATED ON CONTACT AREA AND TIN PLATED ON SOLDER TAIL.
- . GROUNDING CLIP: COPPER ALLOY WITH TIN PLATED.
- . RIVET: COPPER ALLOY WITH NICKL PLATED.
- . HEX NUT: COPPER ALLOY WITH NICKL PLATED.

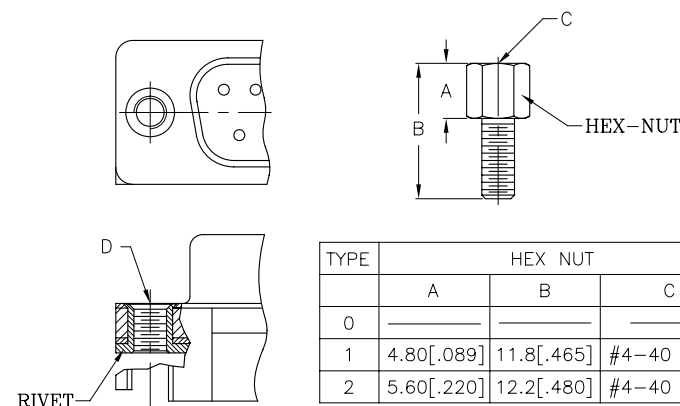
3. ELECTRICAL

- . INSULATION RESISTANCE: 5000 MEGOHMS MINIMUM.
- . DIELECTRIC WITHSTANDING VOLTAGE: 1000 VAC R.M.S.
- . VOLTAGE RATING: 250V.
- . CURRENT RATING: 3 AMP.

4. ENVIRONMENTAL

- . TEMPERATURE RANGE: -55°C TO +105°C

FIGURE 1: OPTION FOR HEX-NUT



TYPE	HEX NUT			RIVET
	A	B	C	D
0	—	—	—	#4-40 UNC
1	4.80[.089]	11.8[.465]	#4-40 UNC	#4-40 UNC
2	5.60[.220]	12.2[.480]	#4-40 UNC	#4-40 UNC

<b>TEKCON®</b> ELECTRONICS		TITLE	RIGHT ANGLE D-SUB CONTACTOR .200" FOOTPRINT, PLUG
(A4)		DWG.NO.	1211-XX4-XXP-AXX
APP.		TOLERANCE UNLESS OTHERWISE SPECIFIED	LINEAR
CHK.			0.0 ±0.38 [.00 ±.015]
DR.		UNIT:	0.00±0.25 [.000±.010]
		mm[inch]	ANGLES
			± 3'
DWG.PATH: RD\D-SUB\1211\1211XX4XXPAXX-F(C)		SCALE	1.5:1 SHEET 2 OF 2 REV: F